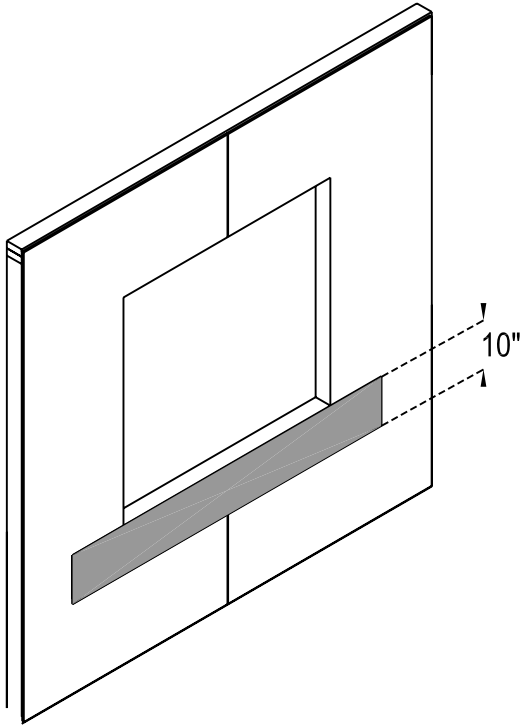
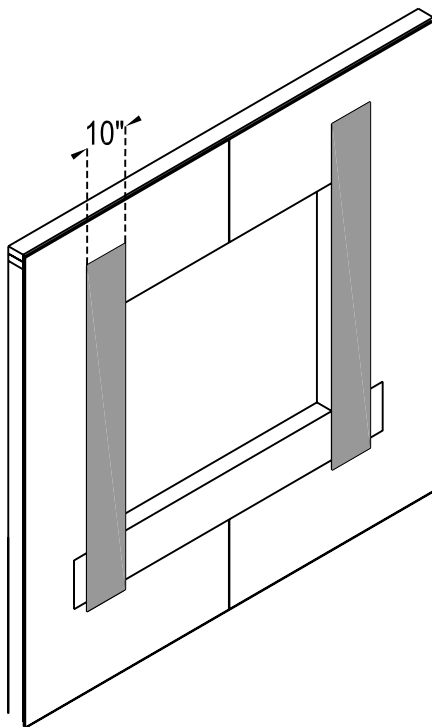


# Window Flashing

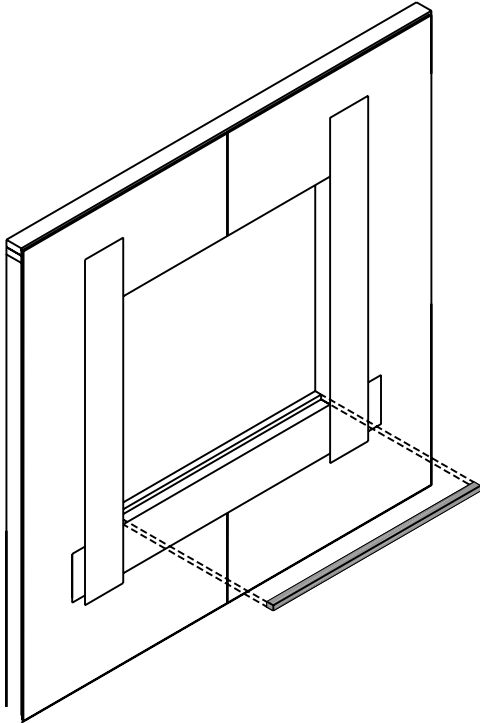


Step 1:  
Clean and dry substrate.  
Install sill flashings below openings  
(2 layers 60 minute grade "D" paper)  
10" wide and 12" beyond side.  
Staple along top edge 3/8" from opening.



Step 2:  
Install jamb flashing.  
(2 layers 60 minute grade "D" paper)  
10" wide and extend 12" at top and bottom of  
opening.  
Staple along top edge 3/8" from opening.

# Window Flashing

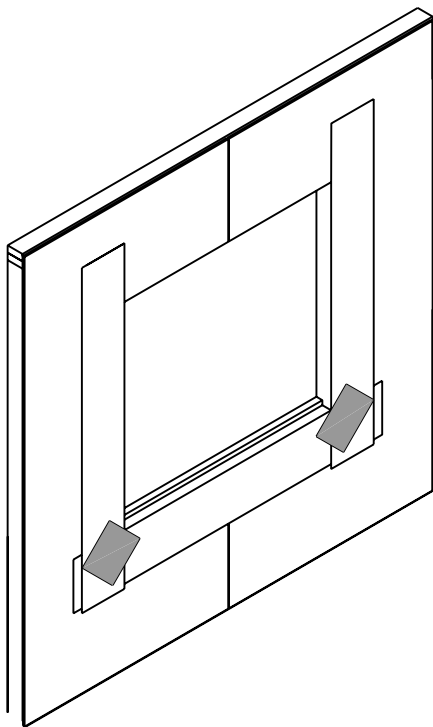


Step 3:

Install L-Bar inside opening running side to side.  
Serves as dam in Sill Pan.

L-Bar should have a minimum height of 1/2".

Fasten at proper depth in the opening for window installation.

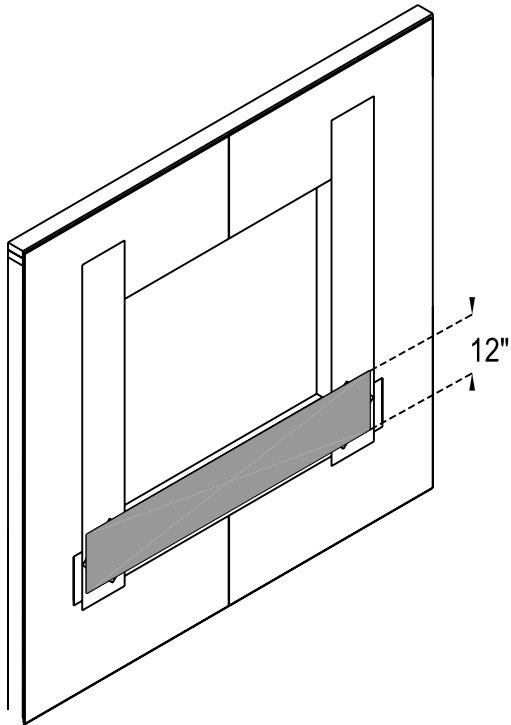


Step 4:

Install 9"x10" strips of **WaterWay Flexible Flashing** diagonal at bottom of opening.

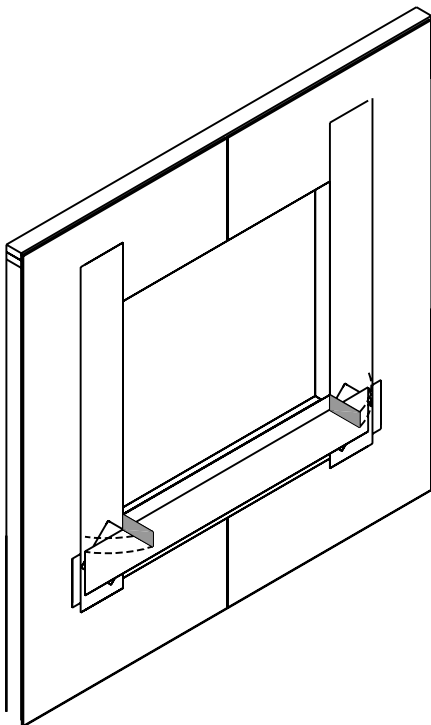
Apply pressure with a roller to assure adhesion between **WaterWay Flexible Flashing** and 60-minute paper.

# Window Flashing



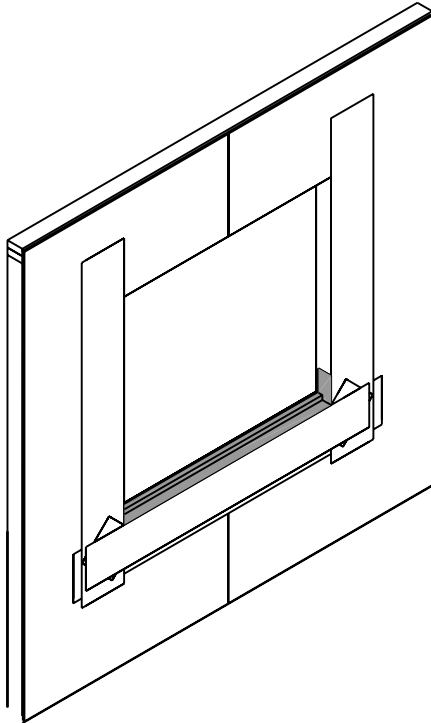
Step 5:  
Cut to length 12" **WaterWay Flexible Flashing**  
Length equals bottom dimension plus 18"  
(9" on both sides).

Set below opening leaving adequate length to  
cover L-Bar.



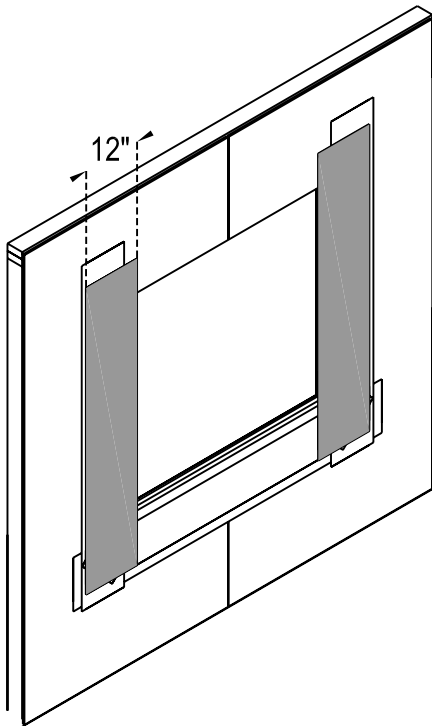
Step 6:  
Cut flush with sides even with bottom of window  
opening.

# Window Flashing



Step 7:

Fold **WaterWay Flexible Flashing** down into opening covering the L-Bar, wrap the 9" "cuts" along jambs.

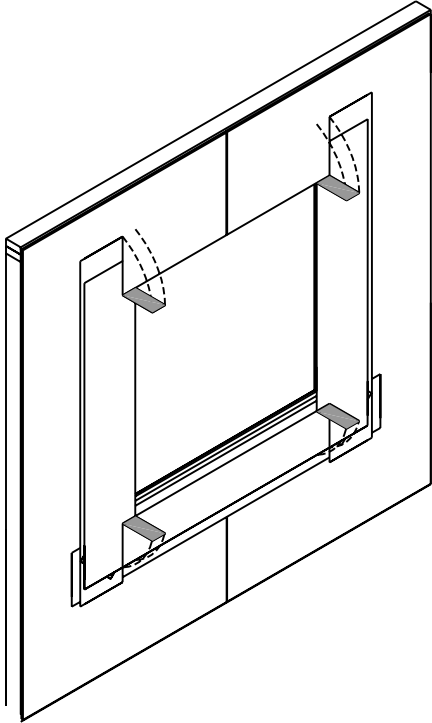


Step 8:

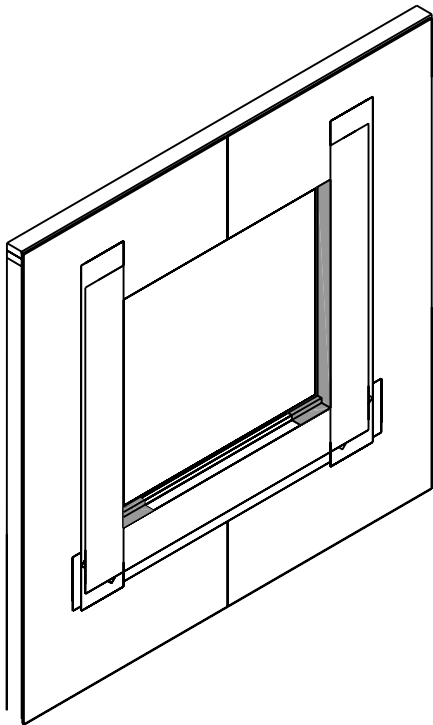
Cut to length 12" **WaterWay Flexible Flashing**  
Length equals side dimension plus 18"  
(9" on both sides).

Set around opening leaving 3" at inside.

# Window Flashing

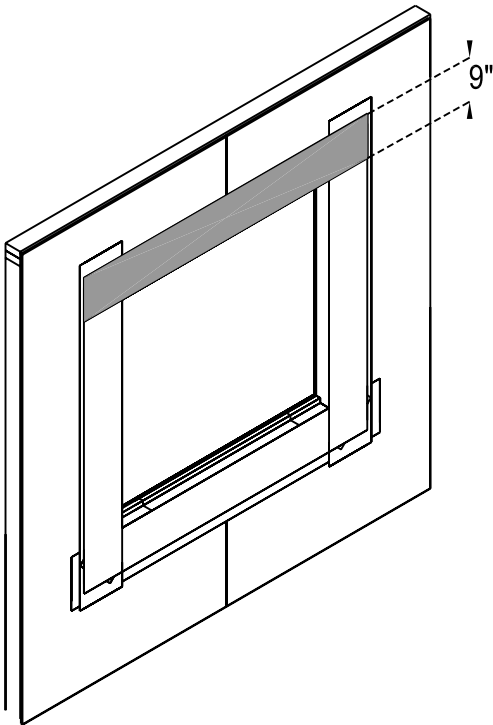


Step 9:  
Cut 9" in on both sides even with window opening.



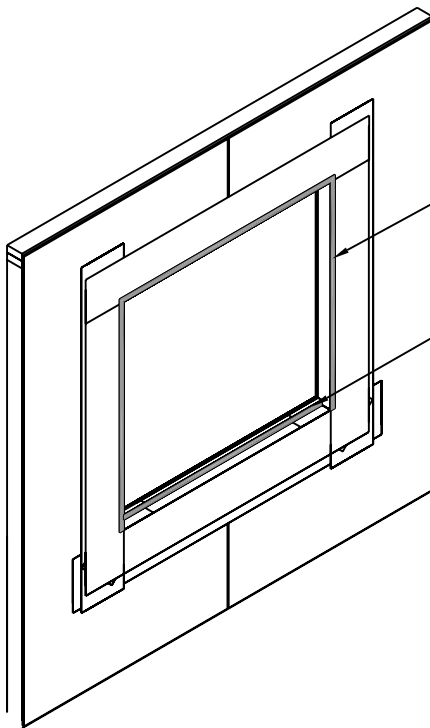
Step 10:  
Fold 3" down into opening, wrapping the 9" "cuts" along top and bottom.

# Window Flashing



Step 11:

Install 9" **WaterWay Flexible Flashing** across top of opening extend 8"-10" inches beyond sides. Apply pressure with roller to assure adhesion.

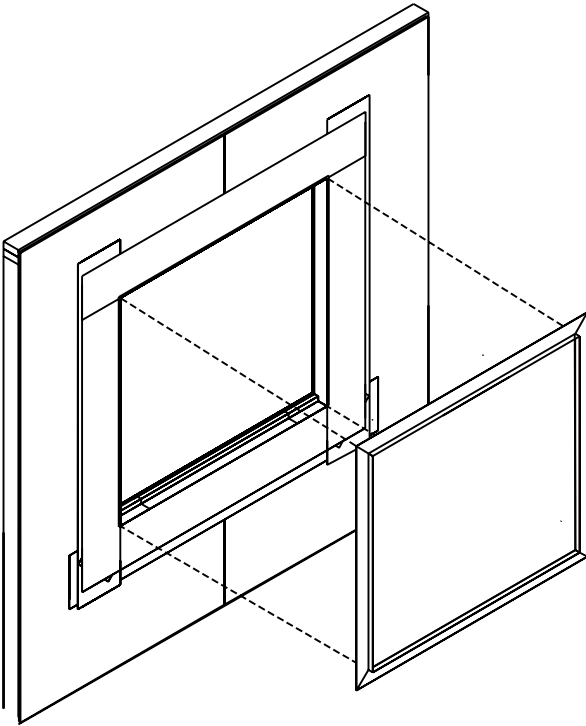


Step 12:

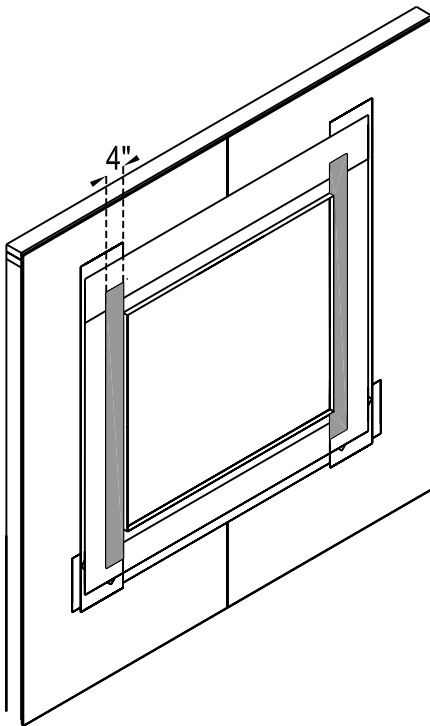
Apply 3/8" bead of urethane/silicone sealant at head and jamb of window opening.

Apply 3/8" bead of urethane/silicone sealant along vertical edge of L-Bar.

# Window Flashing

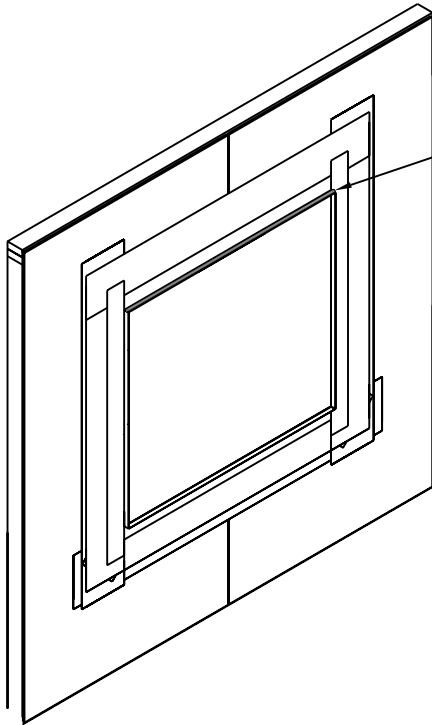


Step 13:  
Install window in wet sealant and fasten per manufactures recomendations.



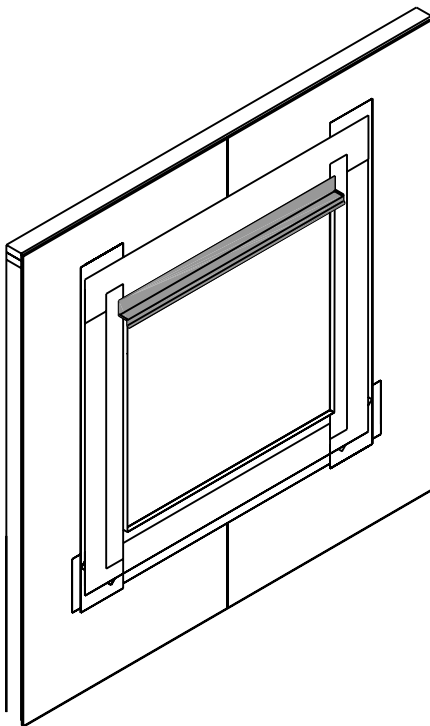
Step 14:  
Install 4" **WaterWay Flexible Flashing** along both jambs covering the nailing flange. Extend 6" beyond the window top and bottom.

# Window Flashing



Step 15:

Apply 3/8" bead of silicone/urethane sealant across top of window 3/8" back from front/face and return to nailing flange.



Step 16:

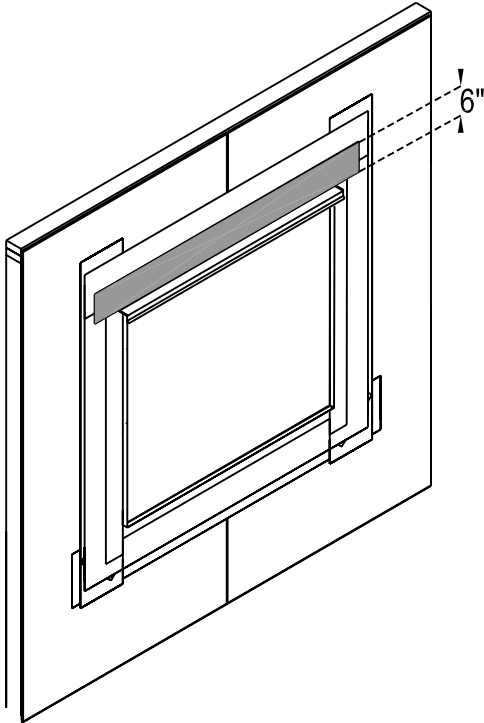
Install head flashing into wet sealant, secure positive contact between sealant, flashing, and window head retaining adequate thickness of caulk. Fasten appropriately.

Refer to Head Flashing Detail Spec.

Note: Detail head flashing with up-turned edges to create end dams. Execute end dams by bending metal or solder to maintain water-tight corners.



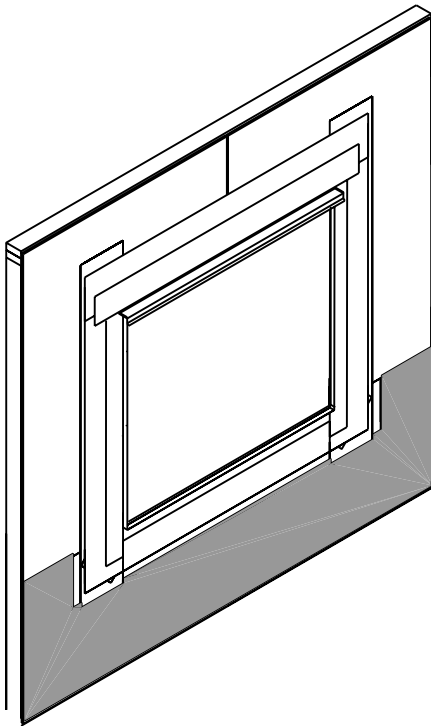
# Window Flashing



Step 17:

Install 6" **WaterWay Flexible Flashing** across vertical leg of head flashing, extend 8" beyond on both sides.

3" of **WaterWay Flexible Flashing** shall rest upon metal and 3" rest upon existing **Waterway Flexible Flashing**.



Step 18:

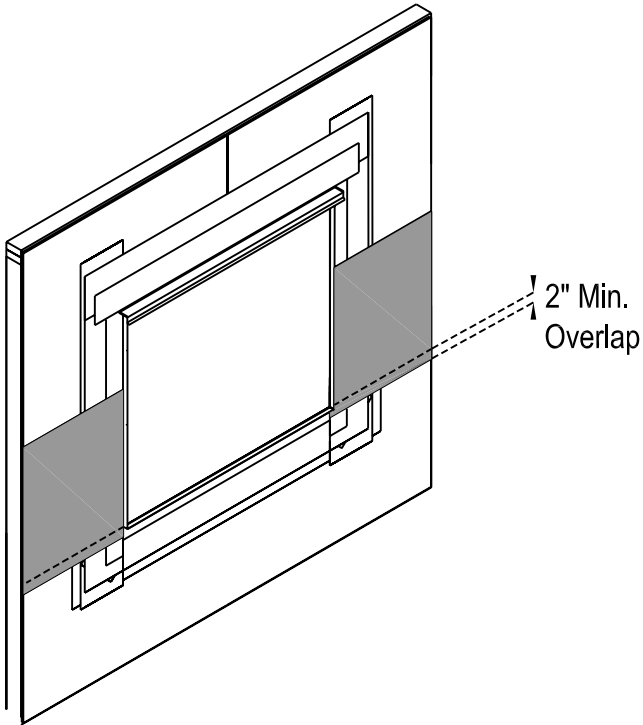
Install 2 layers 60-minute grade "D" building paper across wall.

Slide paper under existing paper flashing and **WaterWay Flexible Flashing** at window jambs and sill.

Building Paper Shall be lapped minimum 2" on horizontal and minimum 6" on vertical.

Attach with corrosion resistant fastener.

# Window Flashing



Step 19:

Install 2 layers 60-minute grade "D" building paper across wall.

Building Paper Shall be lapped minimum 2" on horizontal and minimum 6" on vertical.

Attach with corrosion resistant fastener.

